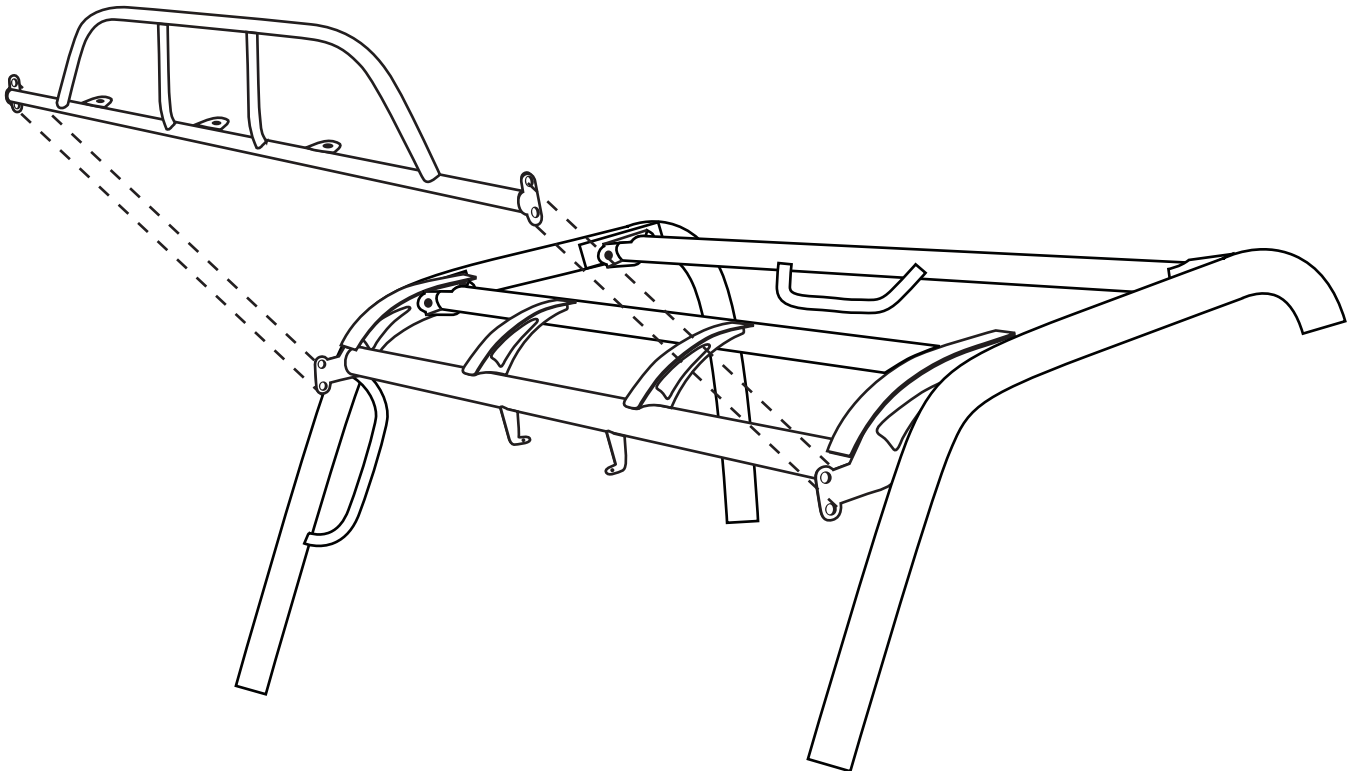


Light Bar Installation

Part # 45830

Diagram A



Installation Instructions

Prior to getting started, we recommend you using gloves and wearing safety glasses for proper protection.

- 1.) Slide light bar into mounting position and align the holes.
- 2.) Slide bolts with washers on them into the mounting holes and loosely attach flange nuts. Do not fully tighten at this time.
- 3.) Once the bar is in place tighten all the nuts and bolts until they are securely fastened.

Hardware Included

- 4 1/4 x 3/4" Bolts
- 4 Washers
- 4 Flange Nuts

Tools Required

- 7/16 Socket w/ small extention