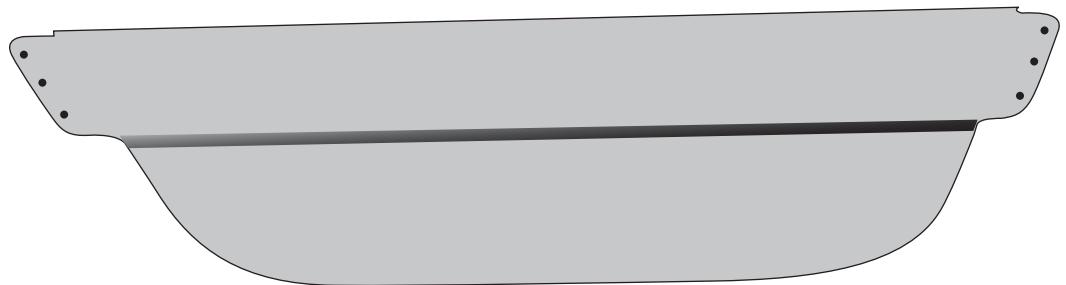
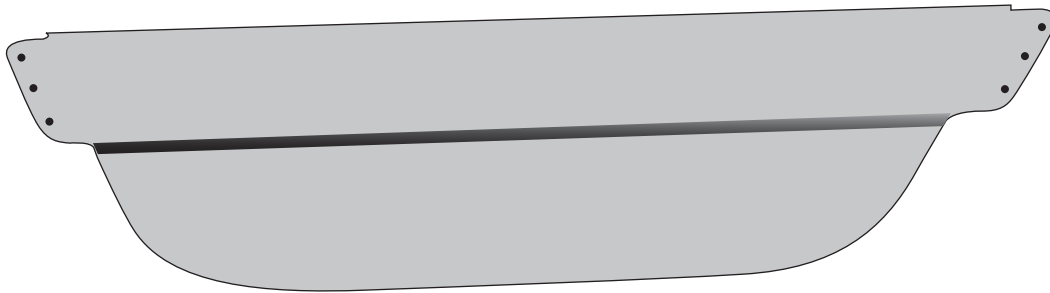




# Yamaha RHINO Leg Minders

Part # 45800-01



## Hardware Included

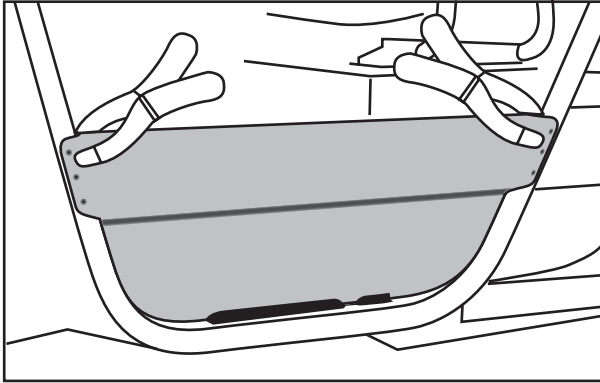
- 6 Drive Rivits

## Tools Required

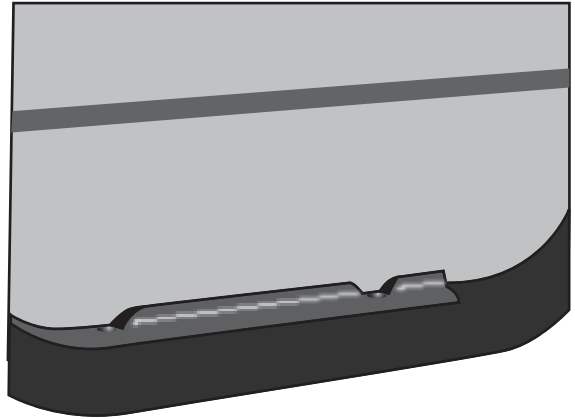
- Drill Motor
- #12 (3/16) Drill Bit
- Hammer
- Deburring Tool
- Quick Clamps

# Rhino Leg Minders Installation

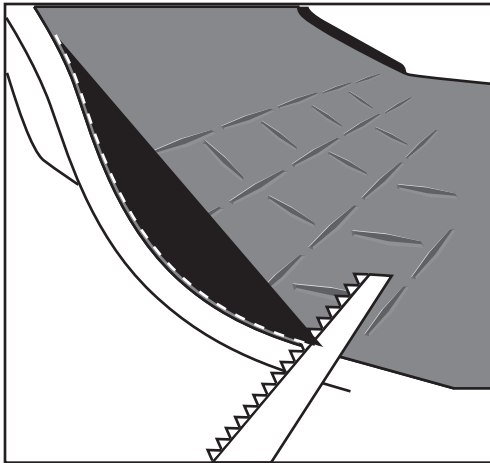
**Diagram A**



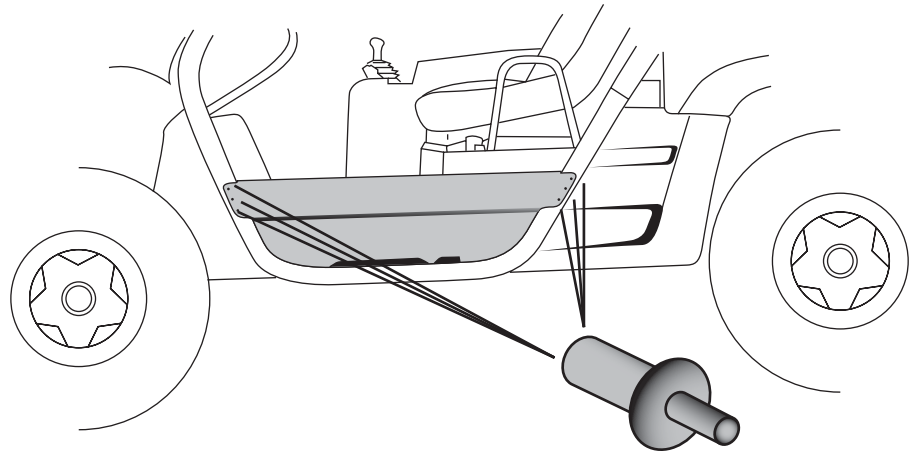
**Diagram B**



**Diagram C**



**Diagram D**



Prior to getting started, we recommend you using gloves and wearing safety glasses for proper protection.

- 1.) First, check hardware before attempting installation.
  - Driver and Passenger side Rocker Panels
  - 12 Drive Rivets
- 2.) Locate driver side Rocker Panel and align rocker panel on frame as shown in picture above (Diagram A). Be sure to locate Rocker Panel behind stock plastic floor tabs as shown (Diagram B). (Note: Black plastic webbing MAY need additional clearance or be removed to properly align. See Diagram C)
- 3.) Using a #12 (3/16) Drill bit, clamp Rocker Panel firmly in place (diagram A), use rivet holes as a guide to drill into the frame. (Do not drill completely through both sides of the frame tube.)
- 4.) Remove Rocker Panel from frame. Deburr rivet holes and clear any excess material out of the way.
- 5.) Replace Rocker Panel on frame and install 6 drive rivets, tap in with hammer(Diagram D).
- 6.) Repeat steps 1-5 when installing passenger side Rocker Panel (No additional clearance to the plastic webbing should be required.)