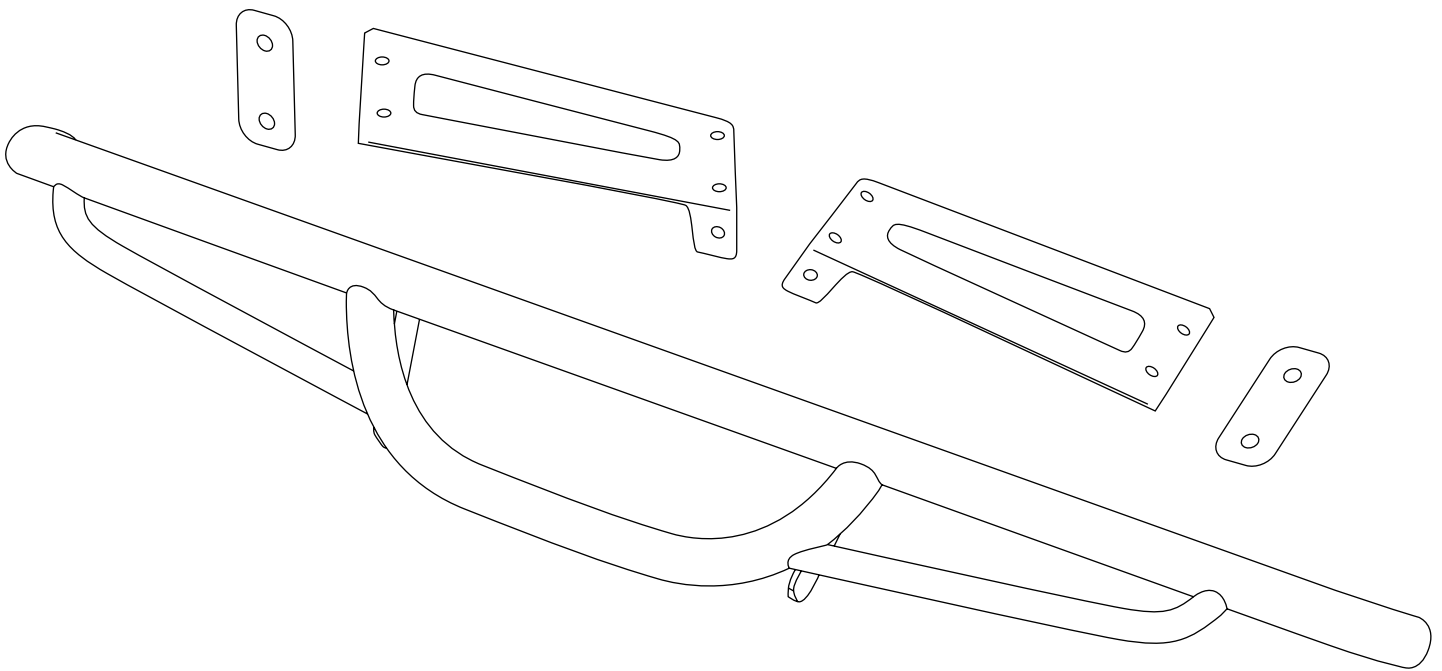




# Polaris RANGER

## Rear Bumper Installation

Part # 46310



### Hardware Included

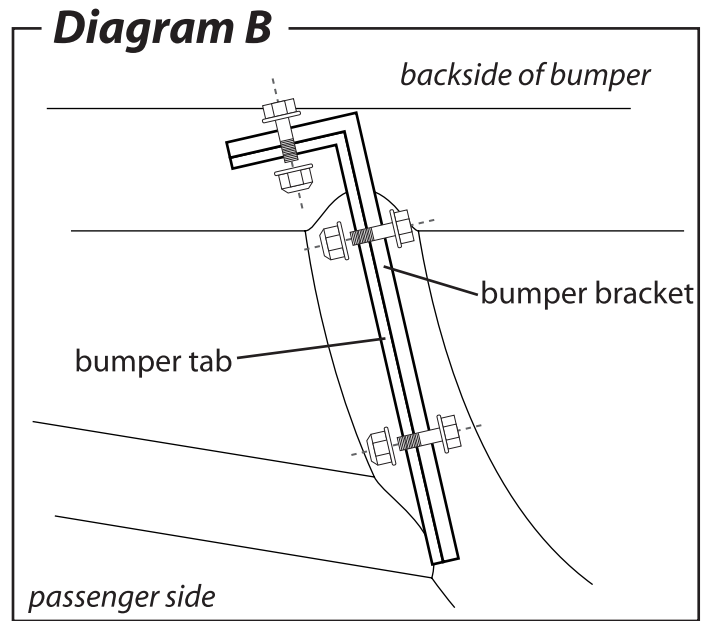
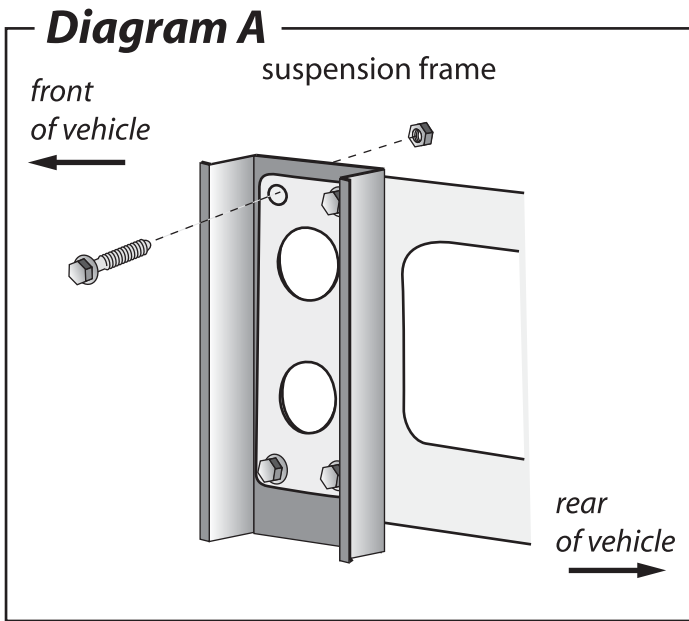
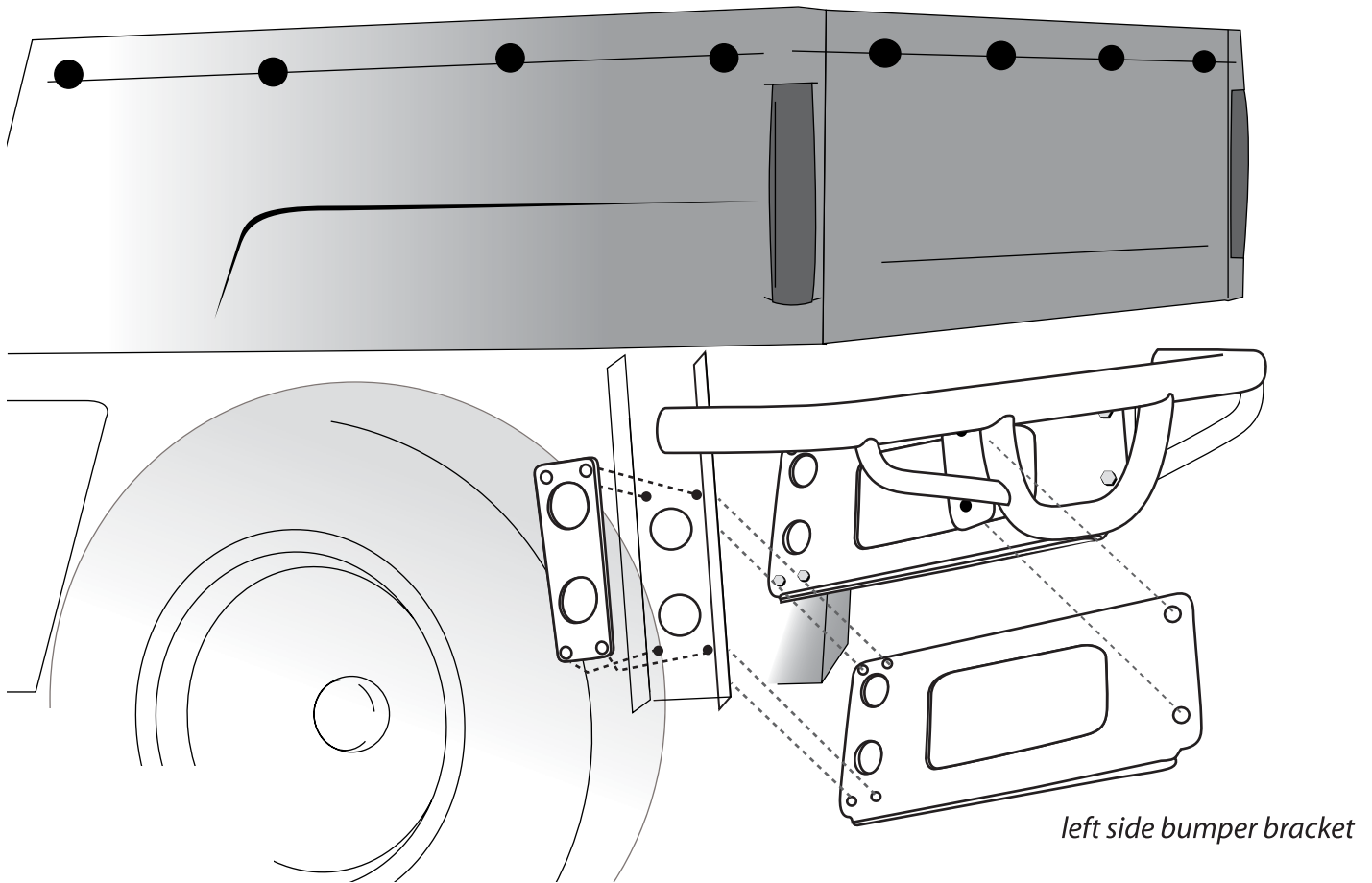
- 6 - 3/8" x 1" bolts
- 6 - 3/8" flat washers
- 6 - 3/8" nylock nuts

### Tools Required

- 9/16" combination wrench
- 9/16" ratchet

*Note: Leave all bolts loose, till installation of bumper is complete, then tighten all bolts.*

# Ranger Rear Bumper Installation



1. Remove rear suspension bolts (one at a time) and reverse bolt direction, then install Rear Bumper Brackets with flanges facing outward from vehicle center. **(Diagram A)**
2. Install rear bumper to brackets with brackets installed over bumper tabs, using provided hardware. **(Diagram B)**
3. **Tighten all bolts, only after all parts of rear bumper are installed.**